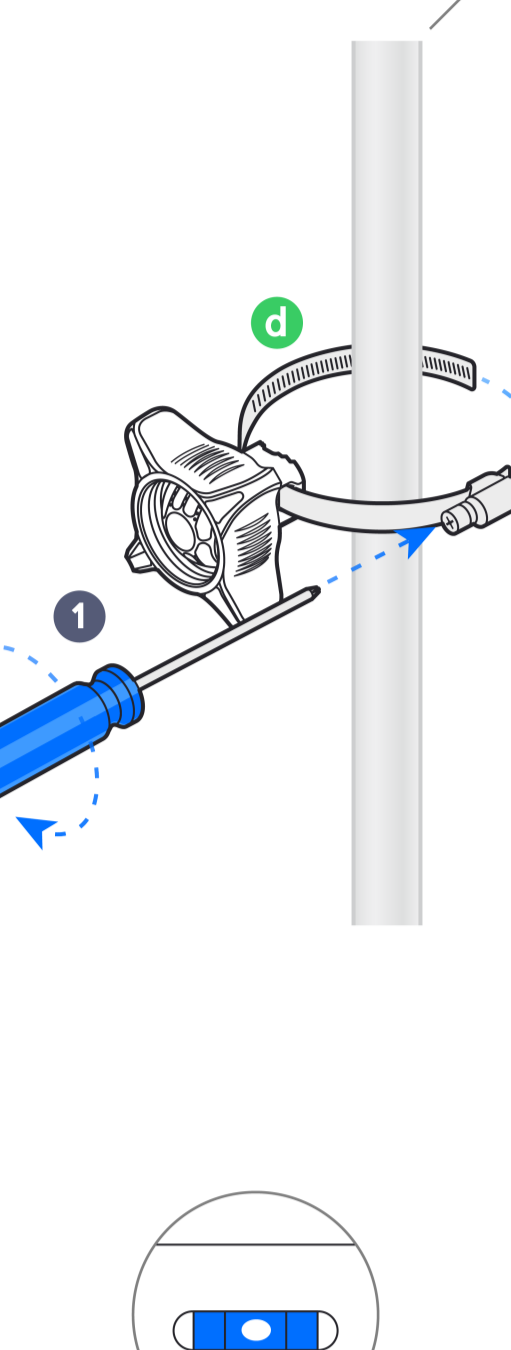
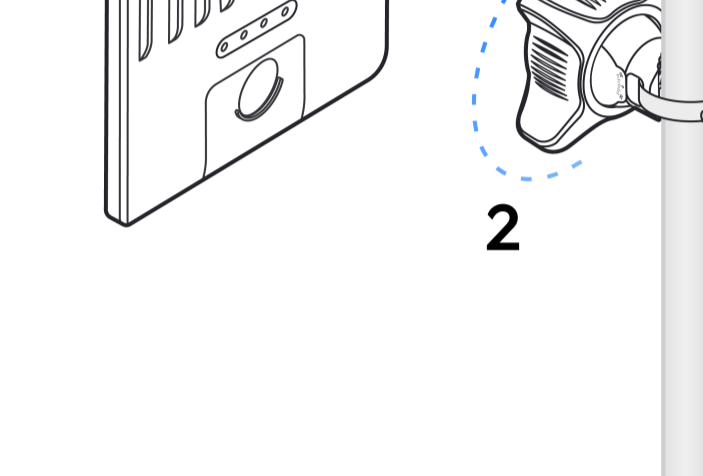


1

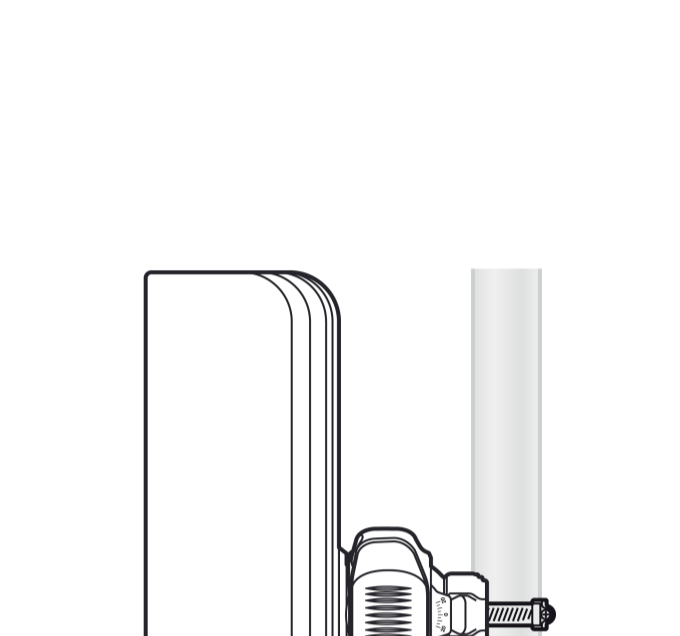


2

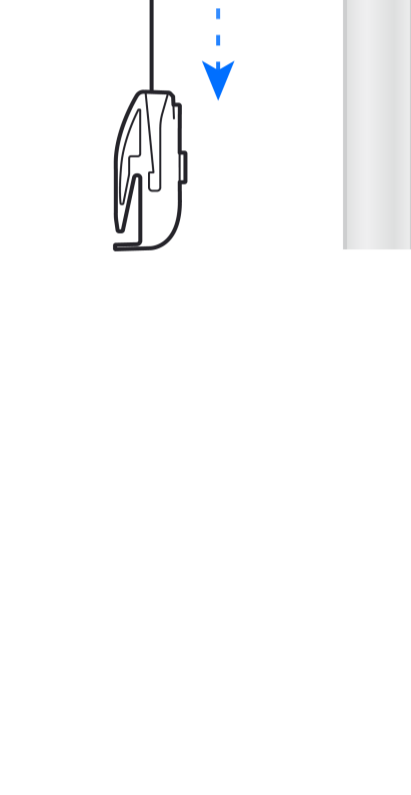
35mm <math>\lt; \text{Ø} < \text{60mm}</math>



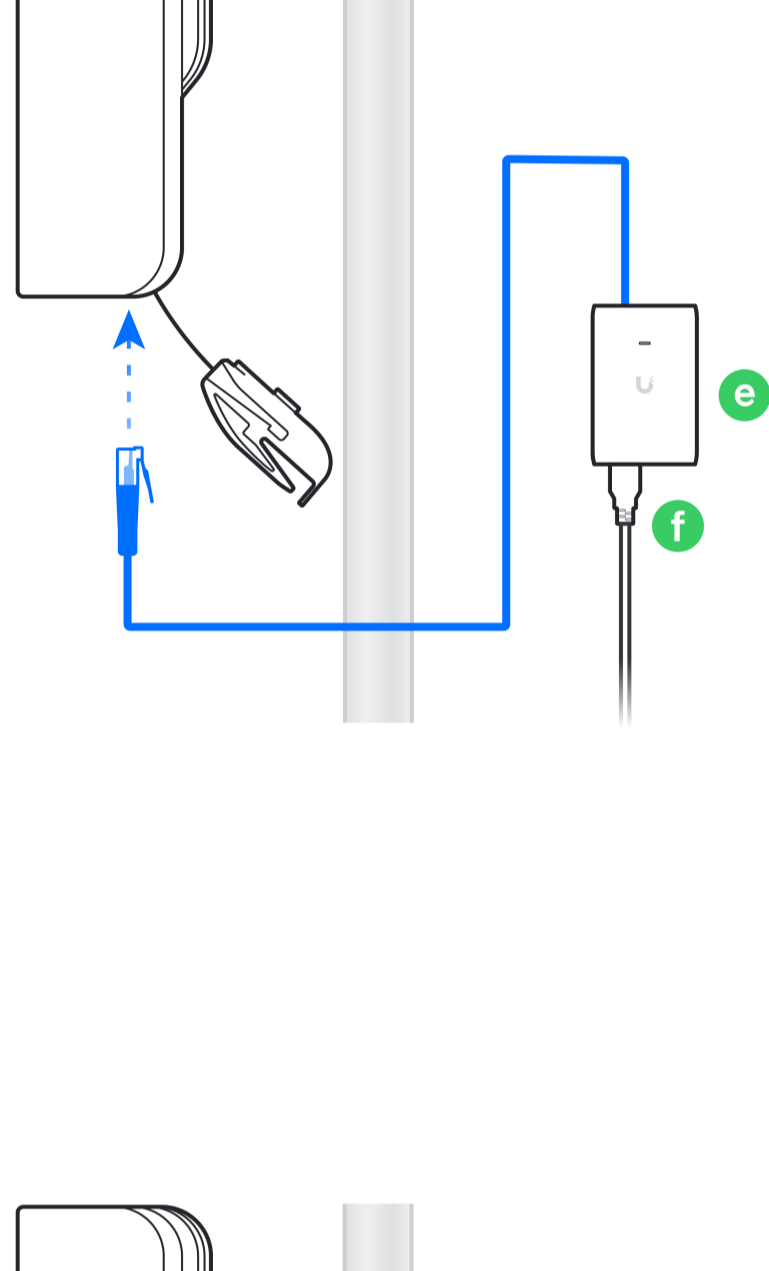
3



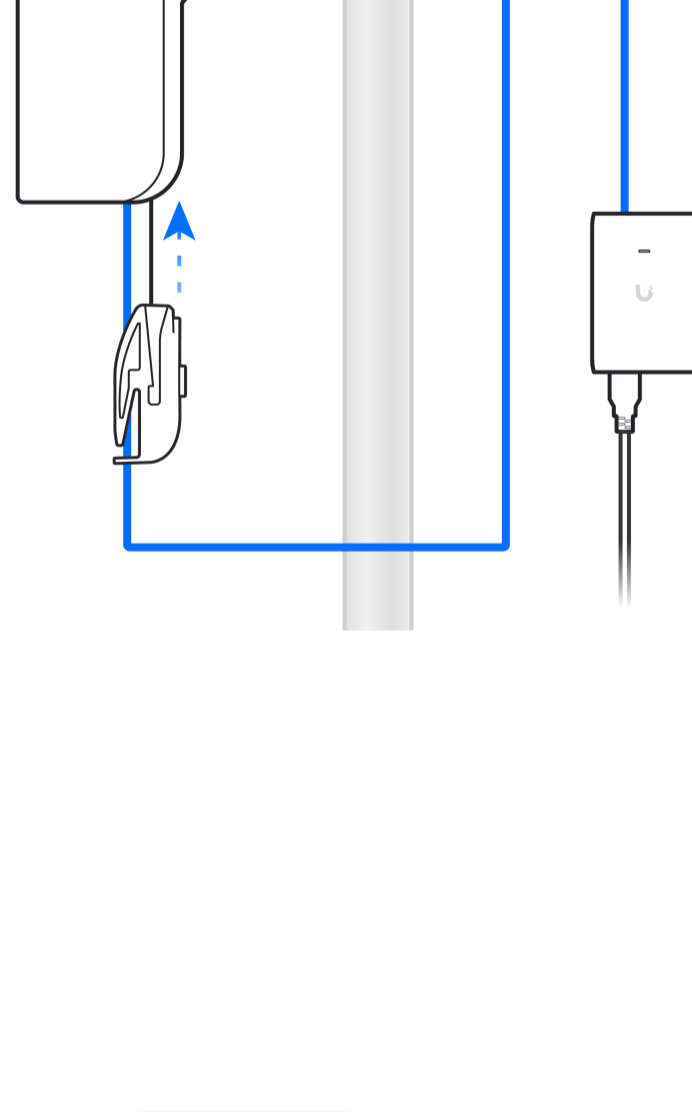
4



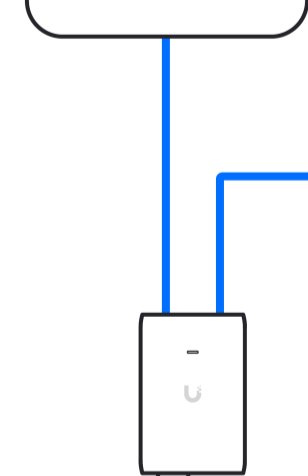
5



6



7



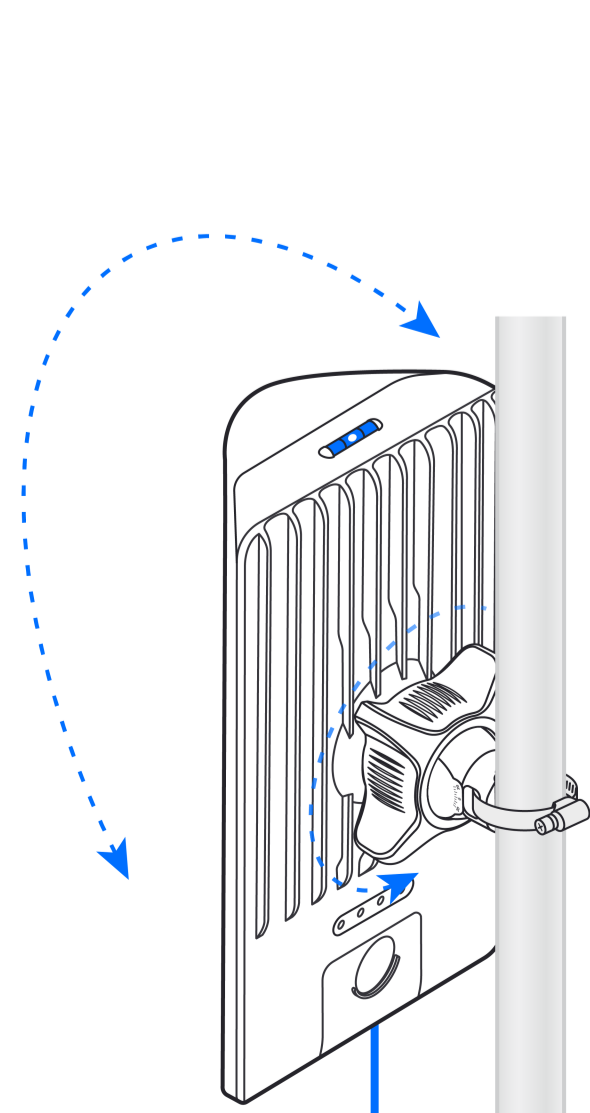
8



9



10



11

If you need further assistance, visit our [Help Center](#) or contact [Ubiquiti Support](#).